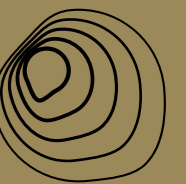


# BROKIS



BROKIS



BROKIS



# BROKIS



BROKIS – a synthesis of exquisite design, superior quality, and the skill of master artisans continuing the centuries-old Bohemian glassmaking tradition. Its collections have achieved international acclaim by combining handblown glass with other refined materials, such as handcrafted wood and metal, in bold compositions that push the boundaries not only of contemporary lighting design but of the technologies applied in production. The family-run premium brand works with select designers from around the world and operates its own historical glassworks southeast of Prague. Each Brokis light is a genuine original, a functional work of art as captivating by day as it is by night.









# TRADITION



## PRESERVATION OF BOHEMIAN GLASSBLOWING TRADITION

Brokis is the brainchild of successful Czech entrepreneur Jan Rabell. In 2006, he founded the brand Brokis as a platform to enliven and elevate Bohemian glassmaking to new heights and preserve generations of knowledge and craftsmanship. Nearly ten years prior, in 1997, he acquired the ailing Janštejn Glassworks, founded at the start of the 19th century approximately 140 kilometres southeast of Prague. Demand for traditional products had declined significantly, many of the glassmakers were growing old and leaving, and time-honoured technologies and techniques were at risk of being lost. Mr. Rabell's vision was to restore the factory to its former prestige and ensure that the ages-old Bohemian glassmaking tradition endured into the 21st century.

With Brokis, Jan Rabell created a lighting brand offering entirely different products than those previously produced at Janštejn Glassworks. Several new Italian-style furnaces were built, and production techniques were refined. Some, such as grinding and glass painting, were discontinued, and others were revived, e.g., glassblowing using optic moulds, and traditional hotshop techniques. Original and nearly forgotten formulas for manufacturing coloured glass were reinstated and are now characteristic of the Brokis brand.

Brokis has firmly established itself as a leading innovator in glass lighting. For example, the complex technology applied in production of the Night Birds collection, which consists of imposing yet elegant curved glass silhouettes of birds in various phases of flight, required two years of experimentation to perfect. Today, Brokis and Janštejn Glassworks employ a total of 100 people and enjoy a unique symbiosis that has allowed Brokis to launch sales operations in 70 countries and showcase its renowned lighting collections at the world's top design exhibitions.









# GLASSWORKS



## JANŠTEJN GLASSWORKS

For more than 200 years, Janštejn Glassworks, situated in Bohemia's picturesque Vysočina Region, has upheld a glassblowing tradition that dates to the end of the 17th century. Founded in 1809 near the village of Horní Dubenky, the factory and generations of tenacious craftspeople employed by it have enjoyed periods of prosperity, yet have also endured much hardship, with three devastating fires, two world wars, and nationalization among the greatest challenges. Today, Janštejn Glassworks is the largest producer of specialty lighting glass in the Czech Republic.













# PEOPLE



JAN RABELL

“Nothing’s impossible; never say it can’t be done.”

Entrepreneur Jan Rabell is one of the most dynamic figures in the Czech Republic’s glassmaking industry. Born in Prague in 1965 to a Puerto Rican father and Czech mother, he grew up in his father’s homeland, returning to Prague to pursue a master’s degree in economics. He went on to hold various managing director posts in the field of finance and banking.

In 1997, he purchased the ailing Janštejn Glassworks and set about restoring its prestige and competitiveness primarily by introducing unconventional glassblowing techniques and production technologies.

In 2006, he founded the premium handblown glass lighting brand BROKIS, quickly developing it into one of the most important players in the market and exporting its products to countries around the world. Jan Rabell’s charisma, energy, and innovative vision continue to propel BROKIS and the Janštejn Glassworks steadily forward. The entire Rabell family are involved in the business, with wife, Petra, and son André playing especially important roles.



LUCIE KOLDOVA

“There are many things we can do without in life. Light is not one of them.”

BROKIS art director Lucie Koldova is an acclaimed Czech product and furniture designer. Her collaboration with BROKIS began in 2010 with the timeless Muffins and Balloons lighting collections, which she designed while living and working in Paris. The voluminous glass lights embody her charismatic, elegant style and quickly established BROKIS as an innovative producer of handblown glass lighting. She is the creative force behind the brand and is instrumental in shaping its product portfolio and image.

Her creations, objects of desire, include glass sculptures, glass lighting, poetic gallery pieces, and limited-series works. Breathtaking colours, unusual proportions, and vibrant formal contrasts seemingly move her work beyond the realm of the possible, a trademark at once apparent in lighting collections such as Balloons, Capsula, Whistle, and Mona. In addition to developing ever-more novel and exciting motifs, Lucie Koldova has introduced important



---

**BROKIS  
DESIGN BY  
LUCIE KOLDOVA  
DAN YEFFET  
BORIS KLIMEK  
CHIARAMONTE MARIN**

---





— The timeless Muffins collection represents an extraordinary lighting experience. Since its market debut, it has taken on an iconic status and become a symbol of the Brokis brand. The sublimity of the design lies in the masterful combination of delicately contoured glass and solid wood. The lights, featuring a billowing glass shade set in a handcrafted wood base together with a naked filament bulb, breathe new life into any space and elicit a festive ambience. The collection offers multiple shape and size variants as well as a broad palette of glass colours and woods.

— DESIGN  
Lucie Koldova, Dan Yeffet

# MUFFINS





**GLASS COLOUR / BAS**  
amber - transparent glass (CGC515)  
cognac - transparent glass (CGC540)  
violet - transparent glass (CGC554)  
smoke brown - transparent glass (CGC538)  
opaline - transparent glass (CGC38)  
smoke grey - transparent glass (CGC516)  
transparent glass (CGC23)  
triplex opal (CGC39)

**GLASS SURFACE / ALL**  
glossy surface (CGSU66)

**CABLE COLOUR / BAS**  
textile cable - white (CECL521)  
textile cable - white US (CECL835)  
textile cable - black (CECL519)  
textile cable - black US (CECL834)  
textile cable - red (CECL530)  
textile cable - dark grey (CECL520)  
textile cable - yellow (CECL606)  
textile cable - light grey (CECL1918)

**SURFACE FINISH / BAS**  
European Oak - untreated (CCS657)  
European Oak - natural waxed (CCS518)  
European Oak - clear coat (CCS972)

**SURFACE FINISH / STA**  
European Oak - stained white (CCS680)  
European Oak - stained black (CCS592)

**SURFACE FINISH / ADD**  
American Walnut - natural waxed (CCS757)



















# BALLOONS

Balloons, a collection of timeless lights embodying rudimentary forms evoking images of hot air balloons, captivates with the beauty of large-format handblown glass and an elegant metal reflector hovering within. The design's charm lies in the use of two independent glass sections to achieve the impression of an integral whole. Lavish proportions and an elegant hand-pressed metal reflector are the collection's defining traits. The size of the largest shade pushes the very boundaries of glassblowing technology and illustrates the exceptional skill and craftsmanship of Bohemian glassmakers. The Balloons collection is one of the pillars of the Brokis portfolio. The lights come in three sizes. Balloons also make an outstanding sculptural statement during the day when they are switched off.

## DESIGN

Lucie Koldova, Dan Yeffet







**GLASS COLOUR / BAS**  
smoke brown - transparent glass (CGC538)  
smoke grey - transparent glass (CGC516)  
transparent glass (CGC23)

**GLASS SURFACE / ALL**  
glossy surface (CGSU66)

**SURFACE FINISH / BAS**  
white (CCS575)  
lemon yellow (CCS613)  
black (CCS582)  
reflective orange (CCS574)

**SURFACE FINISH / ADD**  
chrome (CCS275)  
chrome brushed (CCS960)  
chrome black (CCS959)  
copper (CCS584)  
brass (CCS69)

**CABLE COLOUR / BAS**  
textile cable - white (CECL521)  
textile cable - white US (CECL835)  
textile cable - black (CECL519)  
textile cable - black US (CECL834)  
textile cable - red (CECL530)  
textile cable - dark grey (CECL520)  
textile cable - yellow (CECL606)  
textile cable - light grey (CECL1918)

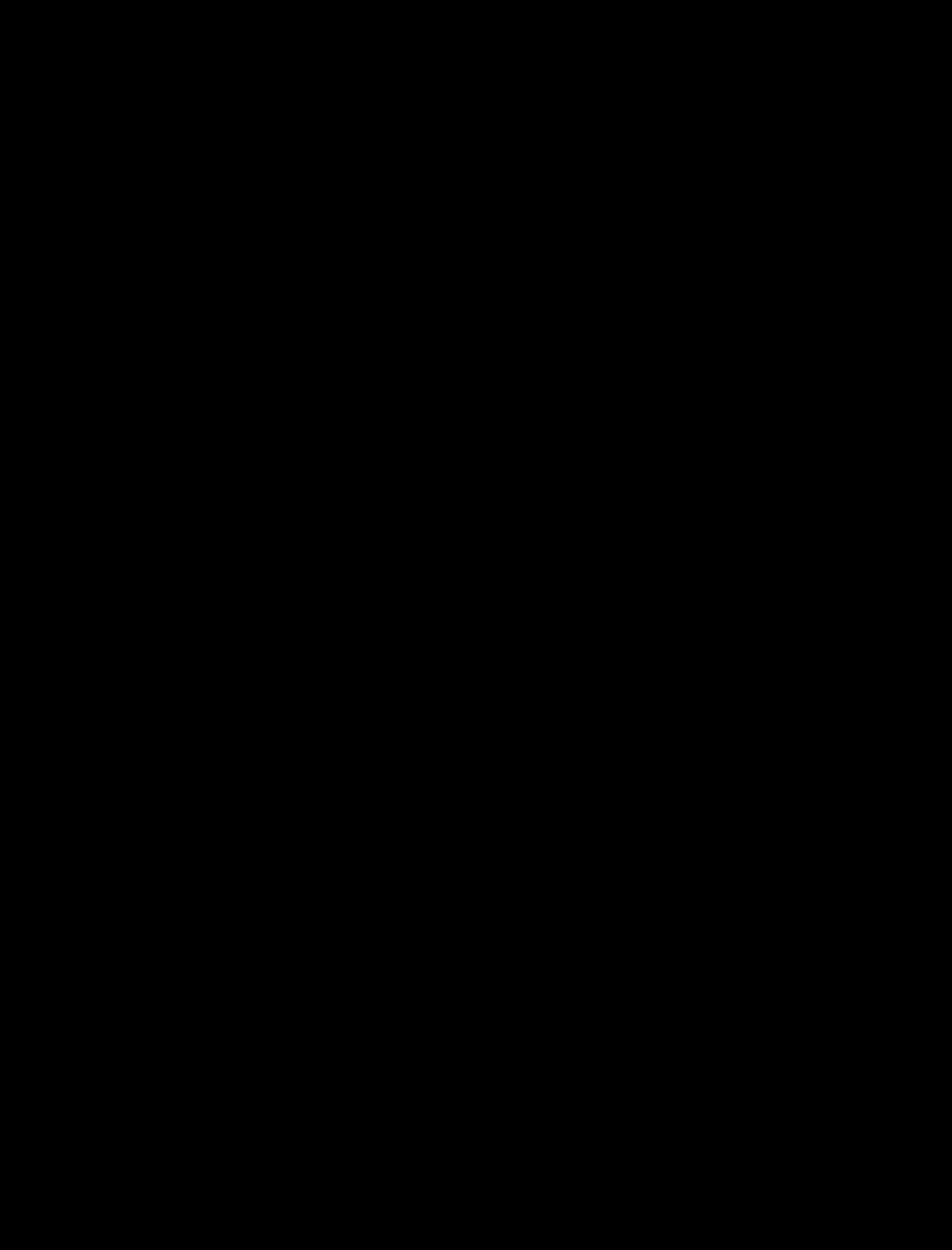




















The Shadows collection is a take on the famed, timeless lights found in French ateliers, and its typology pays tribute to that legacy. The combination of handblown glass, handcrafted wood, and classic shaping has given rise to a light of ageless elegance. The collection comprises four different suspension lights, as striking alone as they are in sets, characterized by a handblown glass shade set upon a handcrafted wooden body. The clean contours and finish are accentuated by the concealed light source. The Shadows collection is special not only for its wide spectrum of glass colour options, surface finishes, and types of wood but also because the lights can be combined into sets according to customer requirements. They are intended for interiors and, thanks to multiple combination possibilities, are well suited to a broad range of installations.

The contours of the Shadows XL collection stay true to the original Shadows collection but are nearly 50% bolder in their proportions. Both the Shadows and Shadows XL collections have special integrated connectors developed by Brokis to facilitate installation and cleaning.

DESIGN

Lucie Koldova, Dan Yeffet

# SHADOWS



**GLASS COLOUR / BAS**

black - transparent glass (CGC602)  
black - triplex opal (CGC36)  
smoke brown - transparent glass (CGC538)  
opaline - transparent glass (CGC38)  
smoke grey - transparent glass (CGC516)  
transparent glass (CGC23)  
triplex opal (CGC39)  
pearl grey - opaline glass (CCG1916)

**GLASS SURFACE / ALL**

glossy surface (CGSU66)  
acid-etched outer surface (CGSU67)

**SURFACE FINISH / BAS**

European Oak - stained white (CCS680)  
European Oak - stained black (CCS592)  
European Oak - untreated (CCS657)  
European Oak - natural waxed (CCS518)  
European Oak - clear coat (CCS972)

**SURFACE FINISH / STA**

American Walnut - natural waxed (CCS757)

**CABLE COLOUR / BAS**

textile cable - white (CECL521)  
textile cable - white US (CECL835)  
textile cable - black (CECL519)  
textile cable - black US (CECL834)  
textile cable - red (CECL530)  
textile cable - dark grey (CECL520)  
textile cable - yellow (CECL606)  
textile cable - light grey (CECL1918)





























# MEMORY

The Memory collection awakens the imagination and beckons back to a carefree childhood. The wall and ceiling versions in different sizes, the wide range of colour options, and a selection of finishes give this lighting experience a large degree of versatility. The illusion of inflated balloons is flawless right down to the dangling string, which serves to switch the light on and off. This is beauty in its simplest and most persuasive form. The Memory collection consists of ceiling and wall versions in three sizes. There are also sets that allow multiple lights to be combined on a single ceiling canopy. Unlike the other collections, Memory are not supplied with a light source.

DESIGN

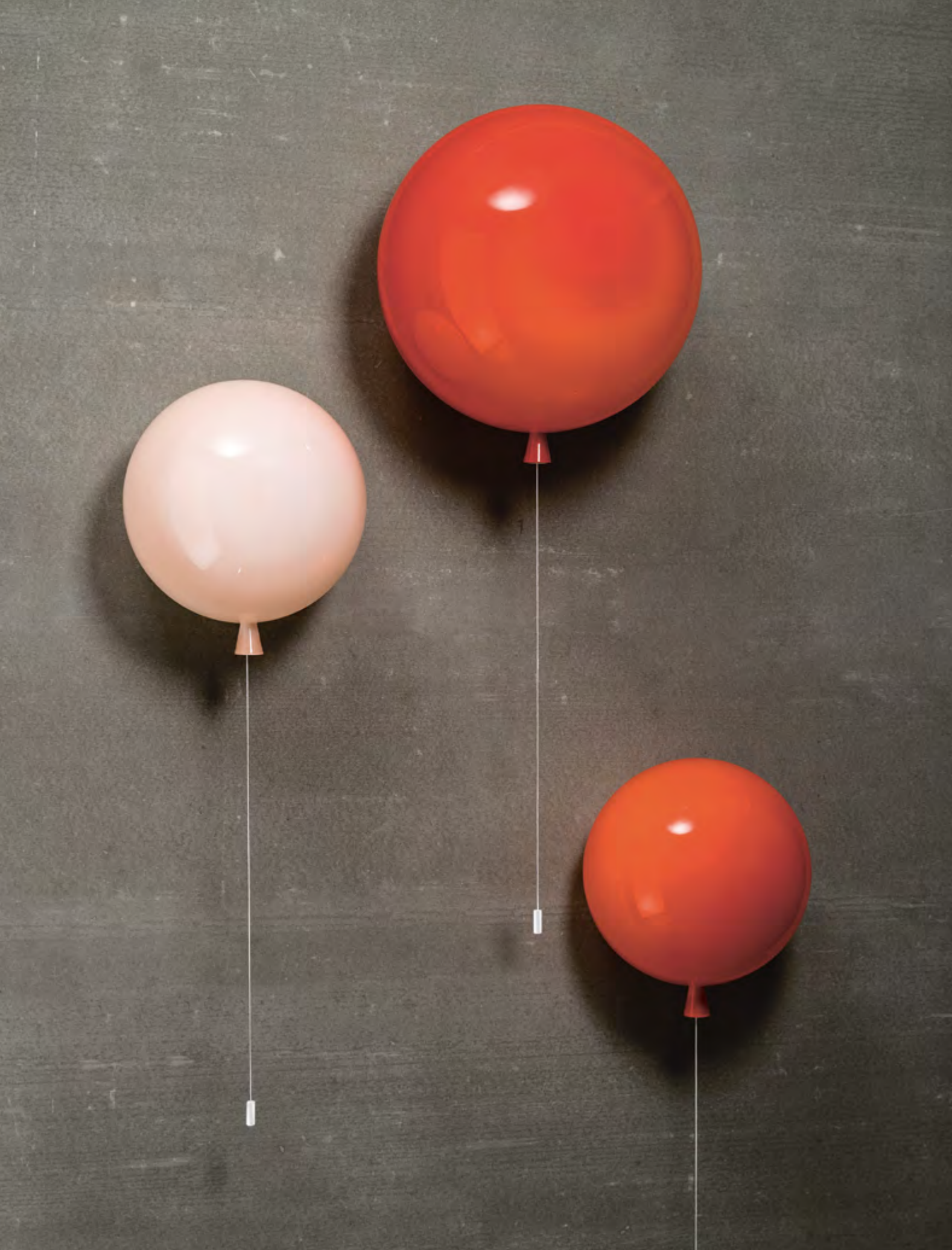
Boris Klimek











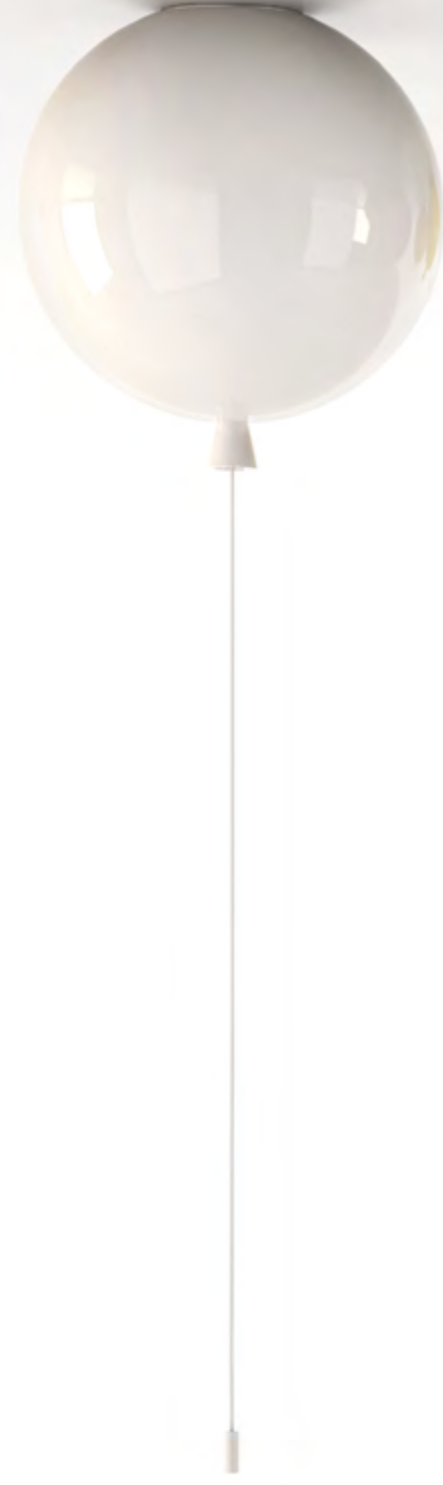


**GLASS COLOUR / BAS**

red - triplex opal (CGC579)  
blue - triplex opal (CGC28)  
orange - triplex opal (CGC580)  
light pink - triplex opal (CGC30)  
grey - triplex opal (CGC617)  
turquoise - triplex opal (CGC601)  
green apple - triplex opal (CGC578)  
yellow - triplex opal (CGC47)  
triplex opal (CGC39)

**GLASS SURFACE / ALL**

glossy surface (CGSU66)  
acid-etched inner and outer surface (CGSU881)















Capsula is a sophisticated and exhilarating light bearing resemblance to a plant cell or seed. The nucleus of the piece is a tubular triplex-glass LED light source, developed by Brokis, that transects the inner shade and translucent external shell to form a notional axis. The layering and overlapping of these three distinct components give rise to dramatic 3D optical effects. The end caps fasten the components together and serve as anchor points for the creative dual suspension straps, which also conceal the power cable and allow for variation in the final positioning of the light. The Capsula collection is offered in sets as well as individual lights that can be combined per customer requirements.

From spring 2018, Capsula is fitted with special integrated connectors developed by Brokis to facilitate installation and cleaning.

DESIGN  
Lucie Koldova

# CAPSULA

























**GLASS COLOUR / BAS**

opaline – transparent glass (CGC38)  
smoke grey – transparent glass (CGC516)  
transparent glass (CGC23)

**GLASS SURFACE / ALL**

glossy surface (CGSU66)

**COLOUR OF THE INNER GLASS / ALL**

amber – transparent glass (CGC1686)  
red – transparent glass (CGC1913)  
violet – transparent glass (CGC1683)  
opaline – transparent glass (CGC1749)  
orange – transparent glass (CGC1938)  
light blue – transparent glass (CGC1912)  
smoke grey – transparent glass (CGC1685)  
pearl grey – opaline glass (CGC1915)  
yellow – transparent glass (CGC1681)  
transparent glass (CGC1682)

**GLASS SURFACE OF THE INNER GLASS / ALL**

glossy surface (CGSU906)  
acid-etched inner and outer surface (CGSUI905)

**CABLE COLOUR / BAS**

textile cable – light grey (CECL1918)  
textile cable – black (CECL519)





The Mona collection is based on the concept of penetrating forms. The light source boldly traverses the ample volume of smooth handblown glass to reveal the thrilling tension inherent in the design. The collection's essence, however, lies in its unconventional construction and refined combination of materials. It also boasts dimmable tubular LED light sources, developed by Brokis, each with a different colour temperature.

The collection comprises several sizes (S, M, L, XL) and various types of lights (pendant, floor, table, wall).

DESIGN  
Lucie Koldova

# MONA













**GLASS COLOUR / BAS**  
black - transparent glass (CGC602)  
violet - transparent glass (CGC554)  
opaline - transparent glass (CGC38)  
smoke grey - transparent glass (CGC516)  
transparent glass (CGC23)

**GLASS SURFACE / ALL**  
glossy surface (CGSU66)

**SURFACE FINISH / BAS**  
lamp body - white (CCS732)  
lamp body - black (CCS727)

**STRAPS / ADD**  
leather straps - natural (GINT788)  
leather straps - dark brown (GINT793)  
leather straps - black (GINT792)  
leather straps - grey (GINT758)

**CABLE COLOUR / BAS**  
textile cable - white (CECL521)  
textile cable - black (CECL519)















# WHISTLE

The Whistle collection is, quite literally, a living reference to the work of glassmakers, as inspiration for the design was taken from the blowpipe, which in Czech is known as a glassmaker's whistle. The lucid body of the piece traces the silhouette of a cone of light, and a distinct spotlight with hand-pressed metal shield constitutes its imaginary heart. The overall shape and the naked cable winding its way up through the body of the light define the character of its simplistic technical form.

The collection comprises a suspension light in two sizes as well as a set of three lights.

From March 2018, Whistle is fitted with special integrated connectors developed by Brokis to facilitate installation and cleaning.

DESIGN

Lucie Koldova

















**GLASS COLOUR / BAS**  
smoke brown – transparent glass (CGC538)  
opaline – transparent glass (CGC38)  
smoke grey – transparent glass (CGC516)  
transparent glass (CGC23)

**GLASS SURFACE / ALL**  
glossy surface (CGSU66)

**SURFACE FINISH / BAS**  
white (CCS575)  
black (CCS582)  
magenta (CCS724)  
menthol (CCS723)  
grey (CCS720)

**SURFACE FINISH / ADD**  
chrome (CCS275)  
copper (CCS584)  
brass (CCS69)

**CABLE COLOUR / BAS**  
textile cable – white (CECL521)  
textile cable – white US (CECL835)  
textile cable – black (CECL519)  
textile cable – black US (CECL834)  
textile cable – magenta (CECL726)  
textile cable – menthol (CECL725)  
textile cable – dark grey (CECL520)  
textile cable – light grey (CECL1918)















Inspired by the abandon and freedom of bird flight, the innovative Night Birds suspension lights impart poetic enchantment and unparalleled dynamism to any interior. Night Birds differ from the other collections in the unique technology applied in production, which involves melting glass into a mould and then bending it. The process makes it possible to instill delicate nuances in the shape of the wings and achieve a coloration of the glass that is different and wholly unique each time. The collection's restraint and directness are underscored by the minimalist LED light source set in a body of lacquered and polished aluminium. The Night Birds collection comprises three lights with different wing attitudes depicting the various phases of bird flight. The lights are available in white and dark variants. Night Birds work best in large flocks.

DESIGN  
Boris Klimek

# NIGHT BIRDS



**GLASS COLOUR / BAS**  
opal - opaque glass - massif (CGC772)  
smoke grey - massif (CGC882)

**CABLE COLOUR / BAS**  
textile cable - black (CECL519)  
textile cable - black US (CECL834)  
transparent cable (CECL149)  
textile cable - white (CECL521)  
textile cable - light grey (CECL1918)

















# FLUTES

Flutes were initially designed as a collection of suspension lights for the interior spaces of a hotel. Their potential and utility value, however, far exceed the demands of the original project. As the name implies, the simple yet elegant conical shape is reminiscent of a flute. Taking the same inspiration, the stylized openings serve a practical purpose by allowing the light to be directed at various angles depending on which opening the cable is passed through. This provides numerous possibilities for combining the lights in intriguing compositions. Flutes are available in several colours. The collection comprises three lights, each with a different degree of bevel on the open end of the shade.

DESIGN

Lucie Koldova









**GLASS COLOUR / BAS**  
opaline - transparent glass (CGC38)  
orange - transparent glass (CGC157)  
smoke grey - transparent glass (CGC516)

**GLASS SURFACE / ALL**  
glossy surface (CGSU66)

**SURFACE FINISH / BAS**

iron - white matte powder coating (CCS845)  
iron - black matte powder coating (CCS846)  
iron - orange matte powder coating (CCS615)

**CABLE COLOUR / BAS**

textile cable - white (CECL521)  
textile cable - white US (CECL835)  
textile cable - black (CECL519)  
textile cable - black US (CECL834)  
textile cable - orange (CECL801)  
textile cable - dark grey (CECL520)  
textile cable - light grey (CECL1918)









# LIGHTLINE

In its every component, the Lightline collection is a celebration of glass as an artistic medium. The concept of a line of light is rooted in the varying characteristics of the material and its forms. The design employs the effect of light uniformly dispersed over a sandblasted surface, which in profile creates the impression of a luminous line. The LED light source is embedded in the base beneath a metal and triplex-opal glass shroud. The upper surface, sandblasted by hand, is treated with a special nano coating to prevent the accumulation of dust and smudges. The collection comprises four table lamps that cast a light of intimate character.

DESIGN

Lucie Koldova





**GLASS COLOUR / BAS**

amber – transparent glass (CGC515)  
red – transparent (CGC45)  
violet – transparent glass (CGC554)  
blue – transparent glass (CGC544)  
opaline – transparent glass (CGC38)  
orange – transparent glass (CGC157)  
smoke grey – transparent glass (CGC516)  
menthol – transparent glass (CGC2184)  
transparent glass (CGC23)

**GLASS SURFACE / BAS**

glossy – sandblasted top part (CGSU806)

**COLOUR OF THE BOTTOM PART / BAS**

dark smoke grey – transparent glass (CGGB813)  
transparent glass (CGGB812)

**GLASS SURFACE OF THE BOTTOM PART / BAS**

glossy surface (CGSUB890)  
acid-etched both side surface (CGSUB891)

**CABLE COLOUR / BAS**

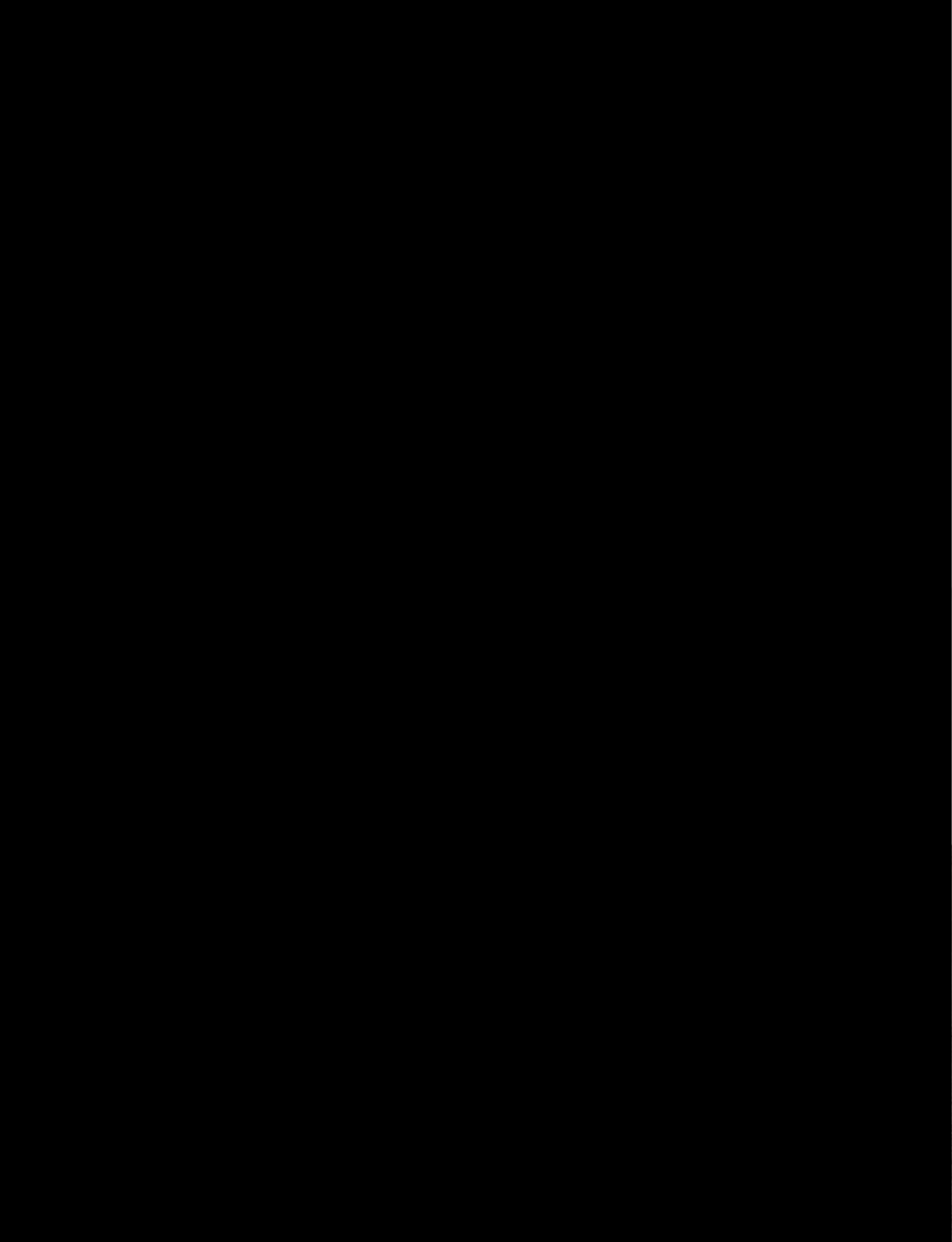
textile cable – light grey (CECL1918)  
textile cable – black (CECL519)  
textile cable – dark grey (CECL520)





















# KNOT

Knot is a collection of stately pendant lights that oppose two dramatically dissimilar materials. The design combines coarse natural fibre with smooth, transparent blown glass to arouse a contrast as striking as it is dignified. Full-bodied globes of varying shapes and sizes are penetrated by robust cords that seemingly pull the bottom of the glass inward for a bemusing plastic effect. The LED light source is housed in a handsome top hood, which, like the cord end cap, is fashioned in refined metal. The collection comprises four pendant lights of different shapes available in two sizes.

## DESIGN

Chiaramonte Marin Design Studio























**GLASS COLOUR / BAS**  
smoke brown - transparent glass (CGC538)  
opaline - transparent glass (CGC38)  
smoke grey - transparent glass (CGC516)  
transparent glass (CGC23)

**GLASS SURFACE / ALL**  
glossy surface (CGSU66)

**SURFACE FINISH / BAS**  
chrome black (CCS959)  
copper (CCS584)  
brass (CCS69)  
brushed stainless steel (CCS68)

**ROPE / BAS**  
rope - natural (CRP970)









Puro is boldly minimalistic variation on atmospheric pendant lights. Inspiration for the collection and its name come from the Spanish word for "cigar", which also means "pure" and is a reference to the composition's clean lines. The design creates an intriguing interplay between horizontal and vertical luminous cigar tubes levitating in space above simple bell lights. The diffused glow of the tubes combines with that of the bells to elicit a dynamic ambience, while the alternating gloss and matte finishes provide a degree of provocation. PURO offers atmospheric room lighting as well as lighting for offices, hospitality interiors, and private dining areas. The collection comprises a single bell light suspended beneath a vertical tube and dual bell lights suspended beneath a horizontal tube. Single tubes can be used to create amazing installations, such as a screen to divide space and evoke an intimate atmosphere bordering on scenography. The endless variability of the Puro collection gives rise to new lighting objects for any interior. Puro have special integrated connectors developed by Brokis for improved variability and ease of installation and cleaning.

DESIGN  
Lucie Koldova

# PURO

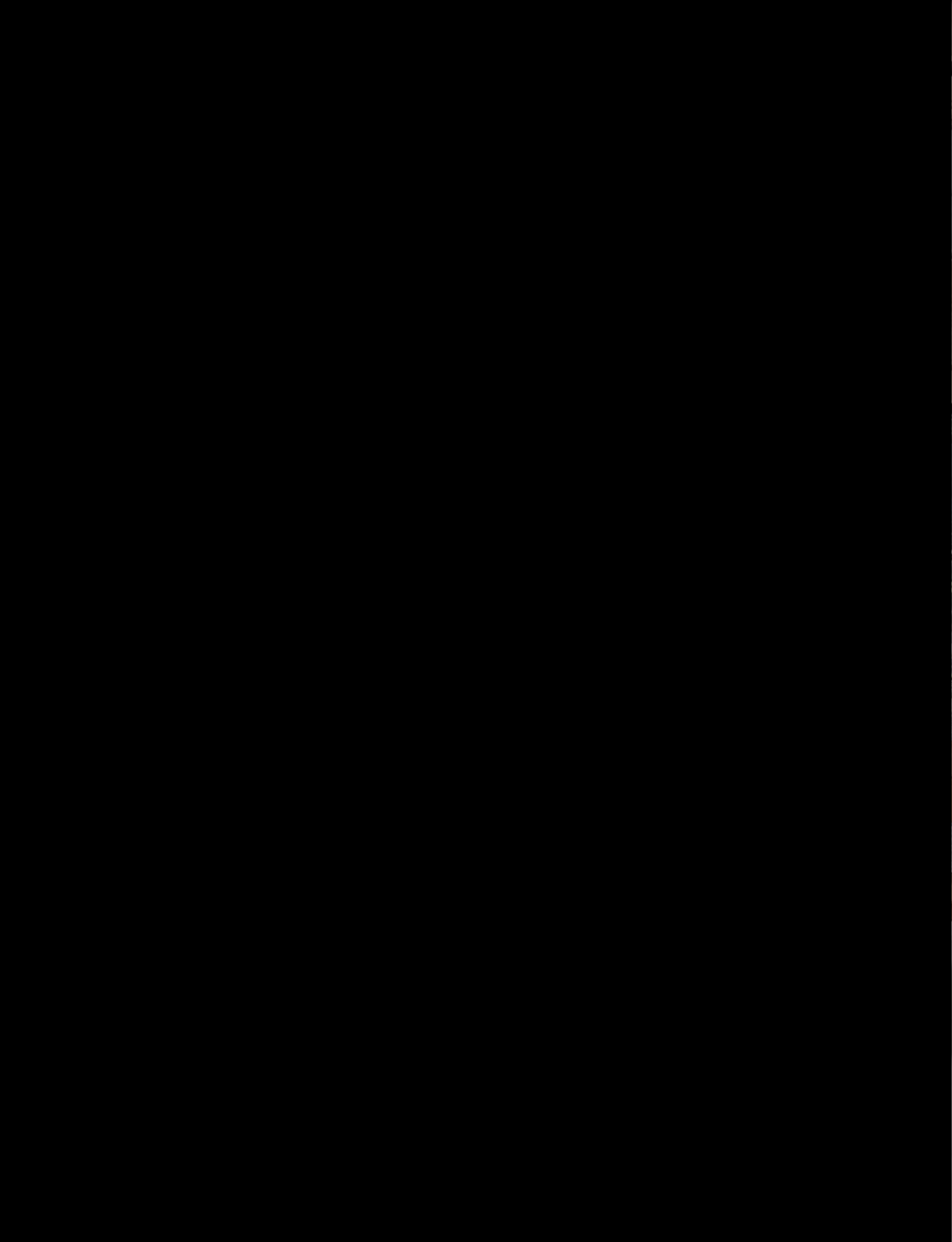




















GLASS COLOUR / BAS  
dark grey - opaline (CGC1507)  
triplex opal (CGC39)

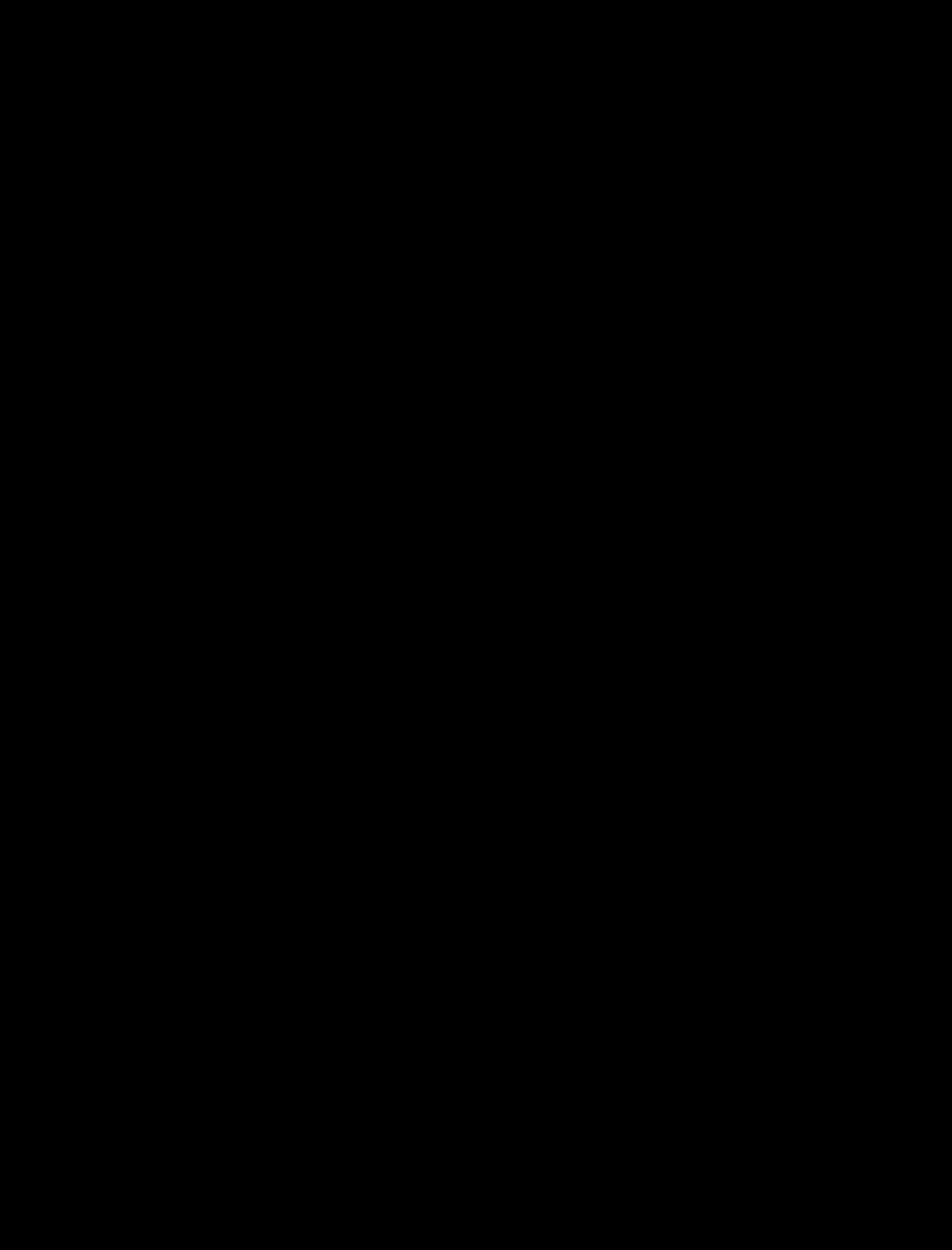
GLASS SURFACE / BAS  
acid-etched both side surface (CGSU881)

GLASS - BOTTOM PART / BAS  
smoke grey - transparent glass (CGGB977)  
transparent glass (CGGB812)  
triplex opal (CGGB979)

GLASS SURFACE OF THE BOTTOM PART / BAS  
glossy surface (CGSUB890)  
acid-etched both side surface (CGSUB891)

CABLE COLOUR / BAS  
textile cable - white (CECL521)  
textile cable - black (CECL519)







# MACARON

The Macaron table light pays homage to the beauty and complex structures of crystalline stone. Enclosed in opposing domes of delicate handblown glass, the stone becomes a moonscape afloat in its own cosmos. The light source casts its glow upward from the onyx base to energize the meandering chalcedony veins in the centre onyx plate and create a subtle and mesmerizing lighting effect. The concept is based on the principle of illuminating stone, and the name refers to the light's similarity in shape to the famed French meringue confection. Natural imperfections in the glass and the diversity of structures in the stone make each light a unique original. The purity of the natural materials and the artanship applied in processing them have given rise to a light of extraordinary ambience. Produced using traditional techniques, Macaron is characteristic of the distinctive and enduring aesthetic of the Brokis brand. Macaron comes in three sizes – the largest of which also makes an attractive floor light – and in several glass colour options with either white or honey onyx.

The collection offers an alternate version featuring a centre plate made of kiln cast glass shards in combination with a wooden base.

## DESIGN

Lucie Koldova









**GLASS COLOUR / BAS**

amber - transparent glass (CGC515)  
light pink - transparent glass (CGC46)  
smoke grey - transparent glass (CGC516)  
dark rosé - transparent glass (CGC1625)  
transparent glass (CGC23)

**BASE SURFACE / BAS**

European Oak - stained white (CSFB1575)  
European Oak - stained black (CSFB1574)

**BASE SURFACE / ADD**

onyx - white (CSFB1535)  
onyx - honey (CSFB1576)

**PLATE SURFACE / BAS**

Brokis-Glass - smoke grey matt (CSOP1577)  
Brokis-Glass - triplex opal matt (CSOP1578)

**PLATE SURFACE / ADD**

onyx - white (CSOP1532)  
onyx - honey (CSOP1533)

**CABLE COLOUR / BAS**

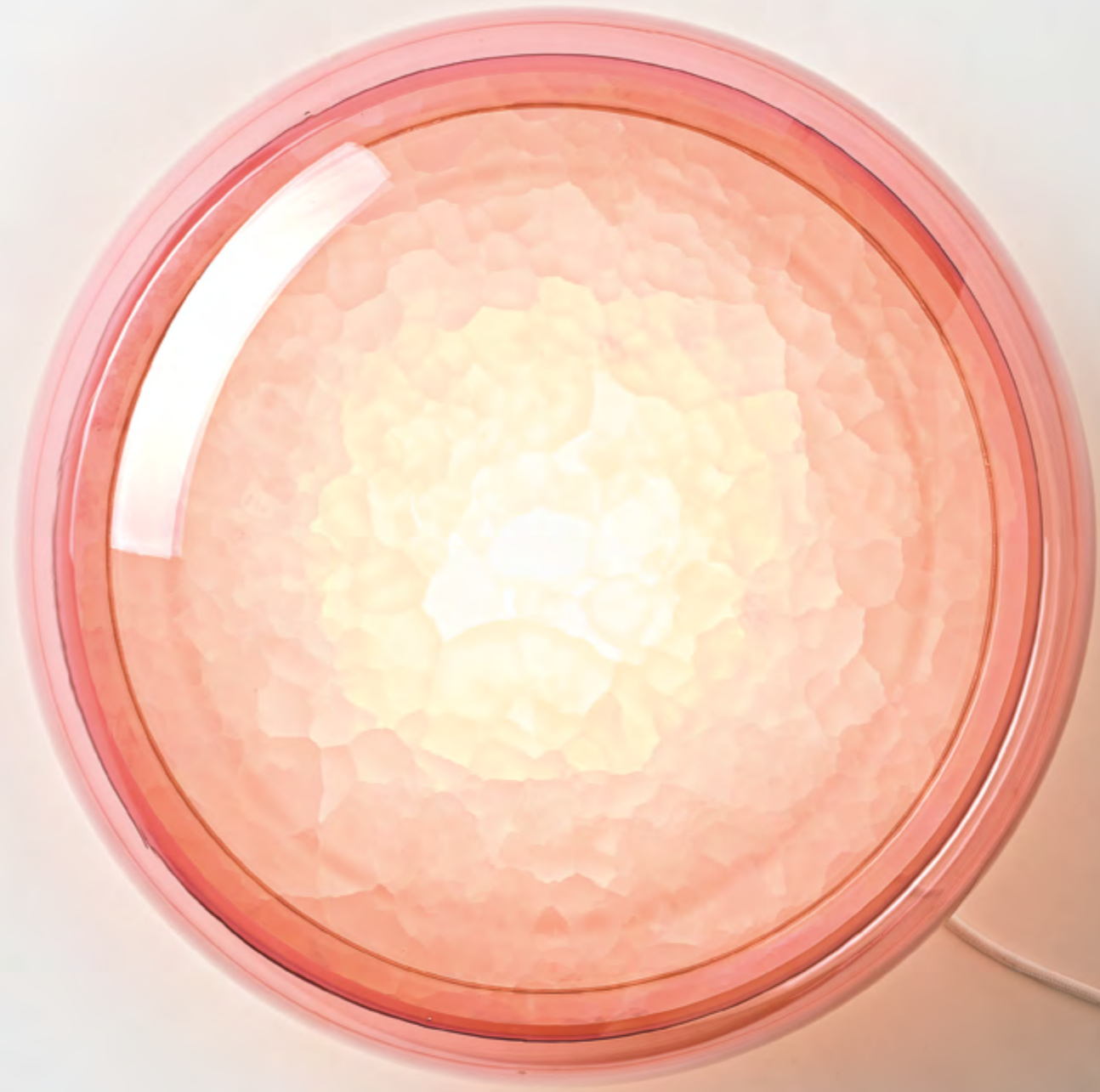
textile cable - white (CECL521)  
textile cable - black (CECL519)  
textile cable - dark grey (CECL520)  
textile cable - light grey (CECL1918)









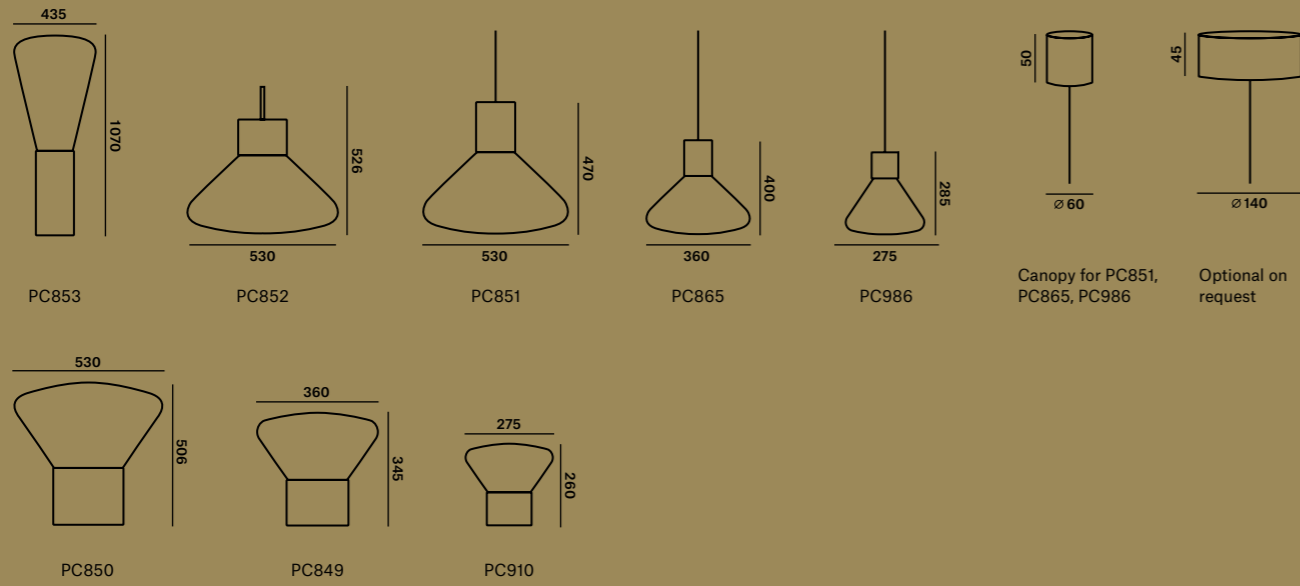








MUFFINS



PAGE 20 — 31

p. 20  
Muffins – wood 04 – PC853 (CGC23, CGSU66, CCS518, CECL520)  
Muffins – wood 03A – PC852 (CGC515, CGSU66, CCS518, CECL520)

p. 22 – 23  
Muffins – wood 03A – PC852 (CGC516, CGSU66, CCS680, CECL521)  
Muffins – mini wood 06 – PC910 (CGC38, CGSU66, CCS680, CECL521)  
Muffins – wood 01 – PC849 (CGC39, CGSU66, CCS680, CECL521)  
Muffins – wood 01 – PC849 (CGC23, CGSU66, CCS680, CECL521)  
Muffins – wood 04 – PC853 (CGC23, CGSU66, CCS680, CECL521)  
Muffins – wood 02 – PC850 (CGC38, CGSU66, CCS680, CECL521)

(CGC516, CGSU66, CCS757, CECL519)  
Muffins – wood 03A – PC852 (CGC23, CGSU66, CCS757, CECL519)  
Muffins – mini wood 06 – PC910 (CGC516, CGSU66, CCS757, CECL519)

p. 26  
Muffins – wood 01 – PC849, Muffins – mini wood 06 – PC910, Muffins – wood 02 – PC850 (CGC516, CGSU66, CCS518, CECL520)

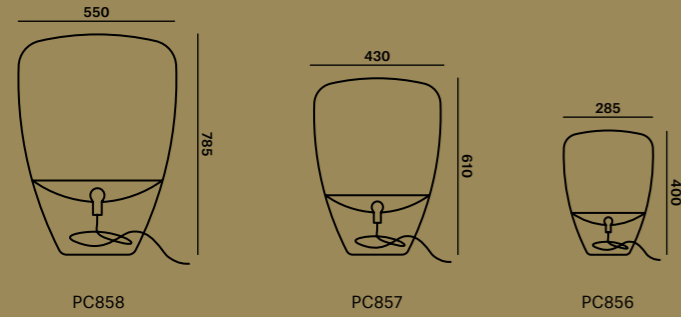
p. 28  
Muffins – wood 03B – PC851 (CGC23, CGSU66, CCS592, CECL519)

p. 29  
Muffins – wood 02 – PC850, Muffins – wood 04 – PC853 (CGC516, CGSU66, CCS592, CECL519)

p. 24 – 25  
Muffins – mini wood 06 – PC910, Muffins – wood 05P – PC865 (CGC23, CGSU66, CCS757, CECL519)  
Muffins – wood 01 – PC849, Muffins – wood 04 – PC853 (CGC516, CGSU66, CCS757, CECL519)  
Muffins – wood 01 – PC849 (CGC23, CGSU66, CCS757, CECL519)  
Muffins – wood 02 – PC850, Muffins – wood 03B – PC851

p. 30 – 31  
Muffins – wood 04 – PC853, Muffins – wood 03A – PC852 (CGC515, CGSU66, CCS518, CECL519)  
Muffins – wood 02 – PC850 (CGC538, CGSU66, CCS518, CECL519)  
Muffins – wood 01 – PC849 (CGC516, CGSU66, CCS518, CECL519)

BALLOONS



PAGE 32 — 43

p. 33  
Balloons – small – PC856 (CGC516, CGSU66, CCS582, CECL519)

p. 34 – 35  
Balloons – small – PC856 (CGC516, CGSU66, CCS582, CECL519)  
Balloons – large – PC858 (CGC516, CGSU66, CCS584, CECL519)  
Balloons – small – PC856 (CGC516, CGSU66, CCS584, CECL519)  
Balloons – medium – PC857 (CGC516, CGSU66, CCS582, CECL519)

p. 38  
Balloons – small – PC856 (CGC538, CGSU66, CCS69, CECL519)

p. 39  
Balloons – small – PC856 (CGC516, CGSU66, CCS582, CECL519)  
Balloons – small – PC856 (CGC516, CGSU66, CCS959, CECL519)  
Balloons – small – PC856 (CGC23, CGSU66, CCS960, CECL519)

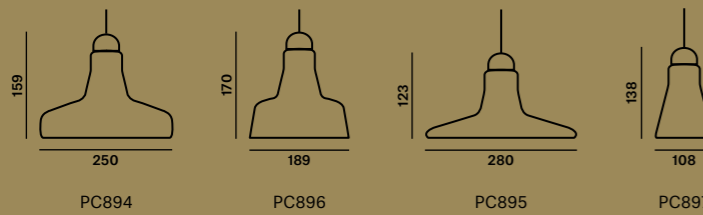
p. 36  
Balloons – small – PC856 (CGC23, CGSU66, CCS584, CECL519)  
Balloons – medium – PC857 (CGC23, CGSU66, CCS584, CECL519)

p. 41  
Balloons – small – PC856, Balloons – medium – PC857 (CGC516, CGSU66, CCS959, CECL519)

p. 37  
Balloons – small – PC856 (CGC23, CGSU66, CCS584, CECL519)  
Balloons – large – PC858 (CGC23, CGSU66, CCS584, CECL519)  
Balloons – small – PC856 (CGC23, CGSU66, CCS584, CECL519)

p. 42 – 43  
Balloons – small – PC856 (CGC516, CGSU66, CCS960, CECL519)  
Balloons – small – PC856 (CGC538, CGSU66, CCS69, CECL519)  
Balloons – small – PC856 (CGC23, CGSU66, CCS275, CECL520)

SHADOWS



PAGE 44 — 59

p. 44  
Shadows – rectangular set – PC921 (CGC602, CGSU66, CCS592, CECL519, CCSC619)

p. 46 – 47  
Shadows – PC895, PC897, PC894, PC897 (CGC538, CGSU66, CCS757, CECL519)

p. 55  
set up  
Shadows, Shadows XL collections (CGC516, CGSU66, CCS592, CECL519)  
Whistle collection (CGC516, CCS582, CECL519)

p. 48 – 49  
set up  
Shadows, Shadows XL collections (CGC516, CGSU66, CCS592, CECL519)  
Whistle collection (CGC516, CCS582, CECL519)

p. 56  
Shadows – PC894, PC896, PC895, PC897 (CGC602, CGSU67, CCS592, CECL519)

p. 51  
set up from free set – PC897, PC894, PC896, PC895 (CGC516, CGSU66, CCS592, CECL519)

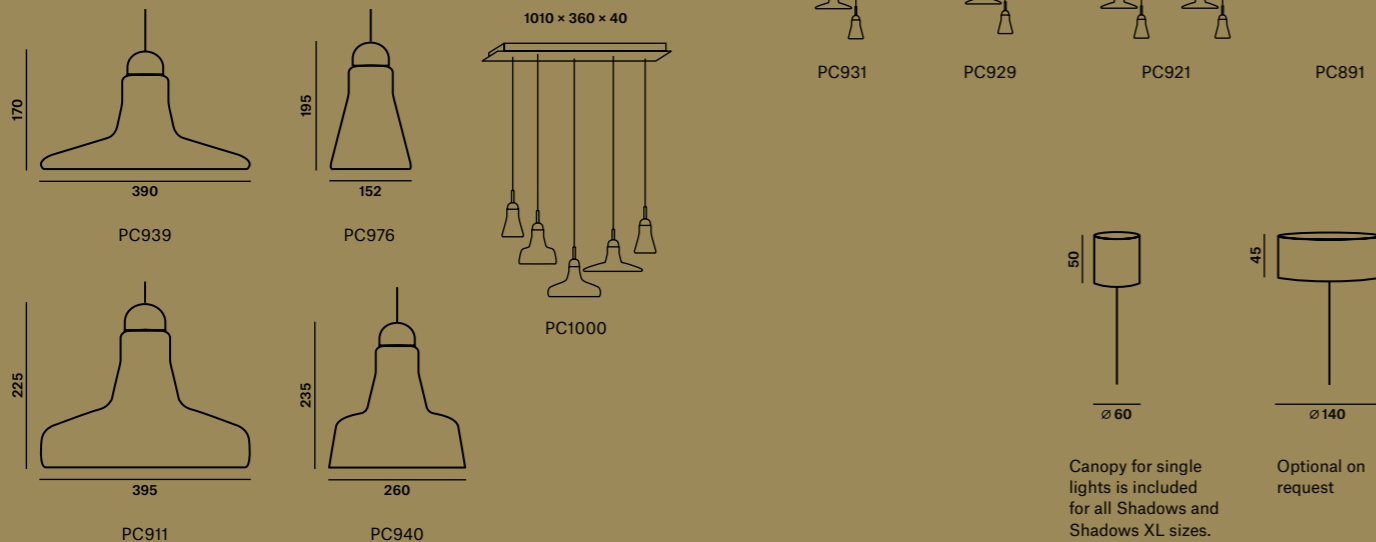
p. 57  
Shadows – ring canopy set – PC929 (CGC516, CGSU66, CCS592, CECL519, CCSC619)

p. 52  
Shadows – PC895, PC897, PC897, PC896, PC894 (CGC38, CGSU66, CCS518, CECL521)

p. 58 – 59  
set up  
Shadows – PC894, PC895, PC896, PC897 (CGC38, CGSU66, CCS518, CECL521)

p. 53  
Shadows – PC895, PC894, PC896, PC895, PC897 (CGC38, CGSU66, CCS972, CECL521)

SHADOWS XL

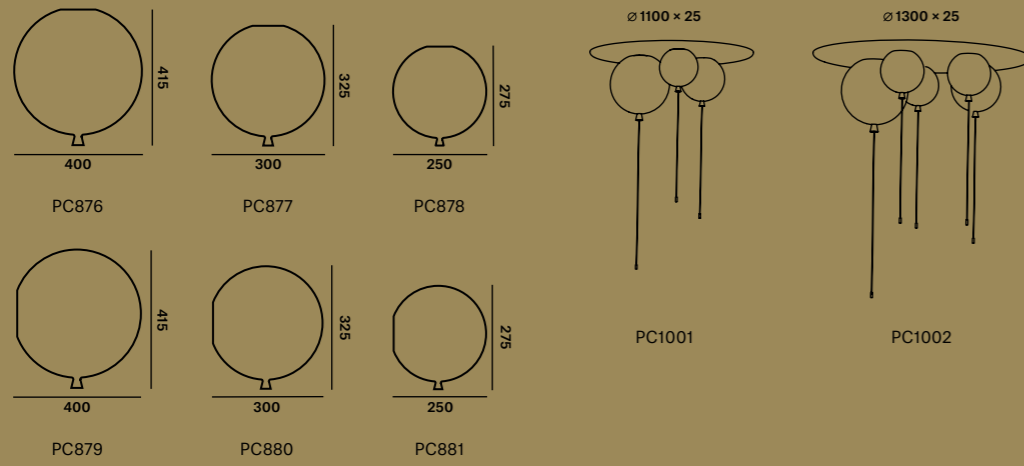


Canopy for single lights is included for all Shadows and Shadows XL sizes.

Optional on request



MEMORY



PAGE 60 — 71

p. 61  
Memory – wall – PC879 (CGC39, CGSU66, CEE777)

p. 62  
Memory – ceiling – PC878 (CGC39, CGSU881, CEE778)  
Memory – ceiling – PC878 (CGC30, CGSU881, CEE778)  
Memory – ceiling – PC878 (CGC617, CGSU881, CEE778)

p. 63  
Memory – ceiling – PC877 (CGC39, CGSU880, CEE777)

p. 64  
Memory – wall – PC881 (CGC30, CGSU66, CEE777)  
Memory – wall – PC879 (CGC580, CGSU66, CEE777)  
Memory – wall – PC881 (CGC580, CGSU66, CEE777)

p. 65  
Memory – set large – PC1002 (3×CGC39, CGSU66, CEE778, 1×CGC580, CGSU66, CEE778, 1×CGC617, CGSU66, CEE778)

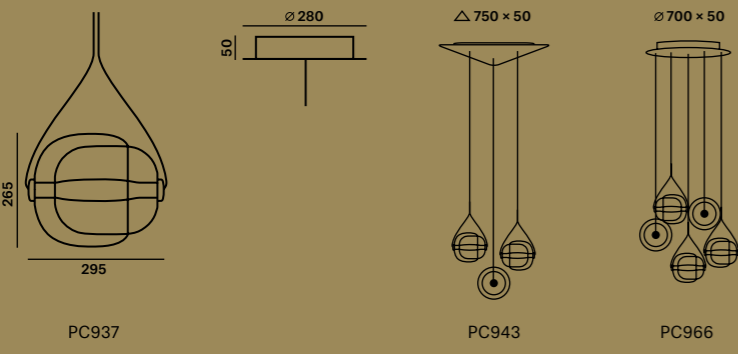
p. 66–67  
Memory – ceiling – PC877 (CGC39, CGSU66, CEE777)  
Memory – ceiling – PC878 (CGC47, CGSU66, CEE777)  
Memory – ceiling – PC876 (CGC617, CGSU66, CEE777)  
Memory – ceiling – PC876 (CGC47, CGSU66, CEE777)  
Memory – ceiling – PC878 (CGC39, CGSU66, CEE777)  
Memory – ceiling – PC877 (CGC617, CGSU66, CEE777)  
Memory – ceiling – PC876 (CGC47, CGSU66, CEE777)

p. 68  
Memory – set small – PC1001 (2×CGC39, CGSU66, CEE778, 1×CGC47, CGSU66, CEE778)

p. 70  
Memory – ceiling – PC878 (CGC601, CGSU881, CEE777)

p. 71  
set up  
Memory – wall (CGC39, CGSU66, CEE777)

CAPSULA



PAGE 72 — 85

p. 72  
Capsula – PC937 (CGC23, CGCI681, CGSUI905, CECL519)  
Capsula – PC937 (CGC23, CGCI686, CGSUI905, CECL519)  
Capsula – PC937 (CGC23, CGCI913, CGSUI905, CECL519)

p. 74–75  
Capsula – PC937 (CGC23, CGCI913, CGSUI905, CECL519)  
Capsula – PC937 (CGC23, CGCI685, CGSUI905, CECL519)  
Capsula – PC937 (CGC23, CGCI749, CGSUI906, CECL519)  
Capsula – PC937 (CGC23, CGCI913, CGSUI905, CECL519)

p. 76  
Capsula – PC937 (CGC38, CGCI749, CGSUI905, CECL1918)  
Capsula – PC937 (CGC38, CGCI749, CGSUI905, CECL1918)  
Capsula – PC937 (CGC38, CGCI749, CGSUI905, CECL1918)

p. 77  
Capsula – PC937 (CGC23, CGCI912, CGSUI906, CECL519)  
Capsula – PC937 (CGC23, CGCI912, CGSUI905, CECL519)  
Capsula – PC937 (CGC23, CGCI749, CGSUI906, CECL519)

p. 78  
Capsula – PC937 (CGC23, CGCI682, CGSUI906, CECL519)  
Capsula – PC937 (CGC23, CGCI685, CGSUI906, CECL519)  
Capsula – PC937 (CGC23, CGCI681, CGSUI906, CECL519)  
Capsula – PC937 (CGC23, CGCI685, CGSUI906, CECL519)  
Capsula – PC937 (CGC23, CGCI682, CGSUI906, CECL519)

p. 79  
Capsula – PC937 (CGC38, CGCI749, CGSUI905, CECL521)  
Capsula – PC937 (CGC38, CGCI749, CGSUI905, CECL521)  
Capsula – PC937 (CGC38, CGCI749, CGSUI905, CECL521)

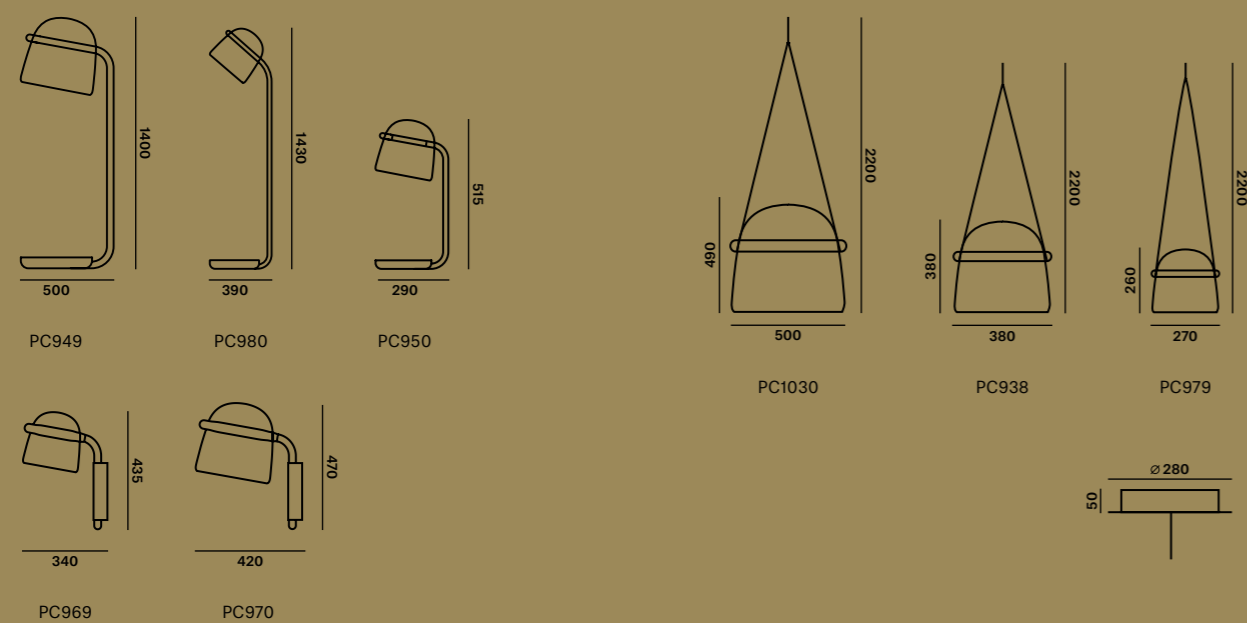
p. 80  
Capsula – PC937 (CGC23, CGCI683, CGSUI905, CECL519)  
Capsula – PC937 (CGC23, CGCI685, CGSUI905, CECL519)  
Capsula – PC937 (CGC23, CGCI749, CGSUI905, CECL519)

p. 81  
Capsula – PC937 (CGC23, CGCI685, CGSUI905, CECL519)  
Capsula – PC937 (CGC23, CGCI683, CGSUI905, CECL519)  
Capsula – PC937 (CGC23, CGCI749, CGSUI906, CECL519)  
Capsula – PC937 (CGC23, CGCI683, CGSUI905, CECL519)

p. 83  
Capsula – PC937 (CGC23, CGCI749, CGSUI905, CECL521)  
Capsula – PC937 (CGC38, CGCI749, CGSUI905, CECL521)  
Capsula – PC937 (CGC23, CGCI749, CGSUI905, CECL521)  
Capsula – PC937 (CGC23, CGCI749, CGSUI905, CECL521)

p. 84–85  
Capsula – PC937 (CGC23, CGCI913, CGSUI905, CECL519)  
Capsula – PC937 (CGC23, CGCI913, CGSUI906, CECL519)  
Capsula – PC937 (CGC23, CGCI913, CGSUI906, CECL519)

MONA SMALL—MEDIUM—LARGE—XL



PAGE 86 — 99

p. 86  
Mona – floor L – PC949 (CGC516, CCS727, CECL519)  
Mona – pendent L – PC938 (CGC516, GINT678)

p. 88  
Mona – pendent XL – PC1030 (CGC602, GINT792)

p. 89  
Mona – pendent M – PC979 (CGC602, GINT792)

p. 90  
Mona – wall S – PC969 (CGC38, CCS732)

p. 91  
Mona – floor M – PC980 (CGC700, CCS727, CECL519)  
Mona – wall M – PC930 (CGC700, CCS727)

p. 92–93  
Mona – pendent L – PC938 (CGC516, GINT758)  
Mona – pendent L – PC938 (CGC554, GINT792)  
Mona – pendent L – PC938 (CGC38, GINT788)

p. 94  
Mona – pendent M – PC979 (CGC516, GINT758)

p. 95  
Mona – pendent M – PC979 (CGC516, GINT792)  
Mona – pendent M – PC979 (CGC516, GINT792)

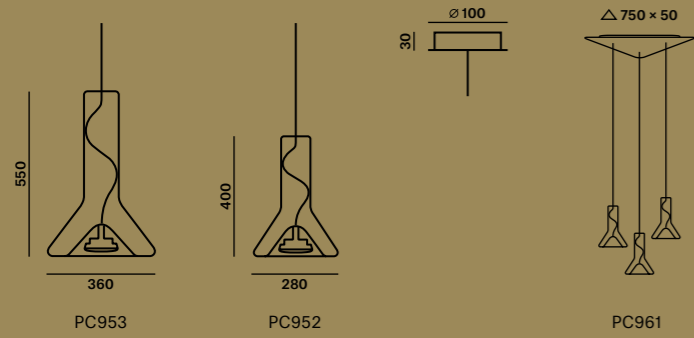
p. 96–97  
Mona – table S – PC950 (CGC38, CCS732, CECL521)  
Mona – table S – PC950 (CGC554, CCS727, CECL519)  
Mona – table S – PC950 (CGC602, CCS727, CECL519)

p. 98  
Mona – pendent M – PC979 (CGC602, GINT792)  
Mona – pendent XL – PC1030 (CGC602, GINT792)  
Mona – pendent L – PC938 (CGC516, GINT792)

p. 99  
Mona – floor M – PC980 (CGC602, CCS727, CECL519)



WHISTLE



PAGE 100 — 113

p. 101  
Whistle - M - PC953 (CGC38, CCS69, CECL521)  
Whistle - S - PC952 (CGC38, CCS69, CECL521)  
Whistle - S - PC952 (CGC38, CCS69, CECL521)

p. 108—109  
Whistle - M - PC953 (CGC38, CCS69, CECL521)  
Whistle - S - PC952 (CGC38, CCS69, CECL521)  
Whistle - S - PC952 (CGC38, CCS69, CECL521)

p. 102—103  
Whistle - M - PC953 (CGC23, CCS575, CECL521)  
Whistle - M - PC953 (CGC23, CCS575, CECL521)  
Whistle - M - PC953 (CGC23, CCS575, CECL521)

p. 110  
Whistle - M - PC953 (CGC23, CCS575, CECL521)  
Whistle - M - PC953 (CGC23, CCS575, CECL521)  
Whistle - M - PC953 (CGC23, CCS575, CECL521)

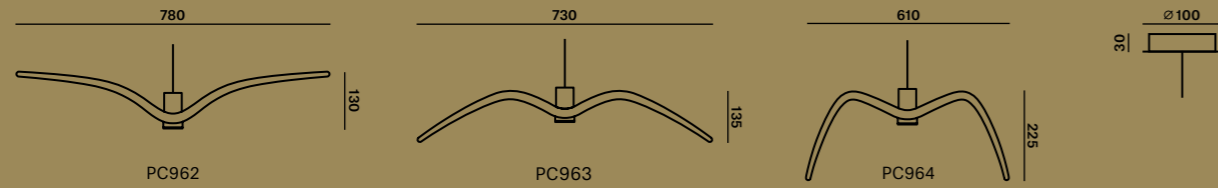
p. 105  
Whistle - M - PC953 (CGC516, CCS582, CECL519)  
Whistle - S - PC952 (CGC516, CCS582, CECL519)

p. 112  
Whistle - M - PC953 (CGC516, CCS582, CECL519)  
Whistle - S - PC952 (CGC516, CCS582, CECL519)  
Whistle - M - PC953 (CGC516, CCS582, CECL519)  
Whistle - S - PC952 (CGC516, CCS582, CECL519)  
Whistle - M - PC953 (CGC516, CCS582, CECL519)

p. 106—107  
set up  
Shadows, Shadows XL collections  
(CGC516, CGSU66, CCS592, CECL519)  
Whistle collection  
(CGC516, CCS582, CECL519)

p. 113  
Whistle - S - PC952 (CGC23, CCS275, CECL519)  
Whistle - M - PC953 (CGC23, CCS275, CECL519)  
Whistle - S - PC952 (CGC23, CCS275, CECL519)

NIGHT BIRDS



PAGE 114 — 123

p. 114  
set up  
Night Birds - PC962 (CGC882, CCS775, CECL149)  
Night Birds - PC963 (CGC882, CCS775, CECL149)  
Night Birds - PC964 (CGC882, CCS775, CECL149)

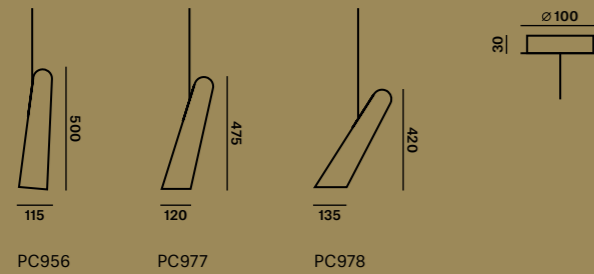
p. 120—121  
Night Birds - PC962 (CGC882, CCS775, CECL149)  
Night Birds - PC963 (CGC882, CCS775, CECL149)  
Night Birds - PC964 (CGC882, CCS775, CECL149)

p. 116—117  
set up  
Night Birds - PC962 (CGC772, CCS775, CECL149)  
Night Birds - PC963 (CGC772, CCS775, CECL149)  
Night Birds - PC964 (CGC772, CCS775, CECL149)

p. 122—123  
Night Birds - PC962 (CGC772, CCS775, CECL149)  
Night Birds - PC963 (CGC772, CCS775, CECL149)  
Night Birds - PC964 (CGC772, CCS775, CECL149)

p. 118  
set up  
Night Birds - PC962 (CGC772, CCS775, CECL149)  
Night Birds - PC963 (CGC772, CCS775, CECL149)  
Night Birds - PC964 (CGC772, CCS775, CECL149)

FLUTES



PAGE 124 — 131

p. 125  
Flutes - PC978 (CGC516, CCS846, CCSC619, CECL519)  
Flutes - PC956 (CGC38, CCS845, CCSC618, CECL521)  
Flutes - PC977 (CGC157, CCS615, CCSC844, CECL801)

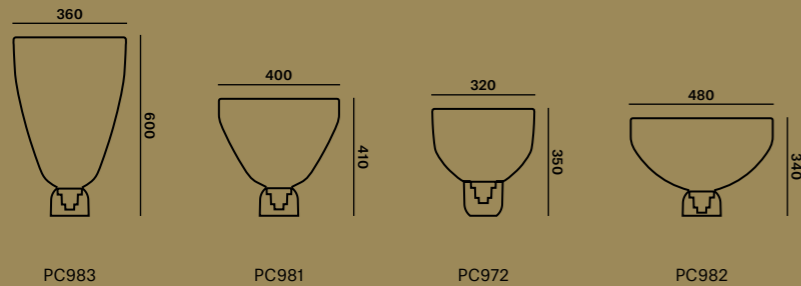
p. 130  
Flutes - PC978 (CGC516, CCS846, CECL519)

p. 126—127  
Flutes - PC978 (CGC157, CCS615, CECL801)  
Flutes - PC977 (CGC157, CCS615, CECL801)  
Flutes - PC956 (CGC157, CCS615, CECL801)

p. 131  
Flutes - PC978 (CGC516, CCS846, CECL519)  
Flutes - PC956 (CGC516, CCS846, CECL519)  
Flutes - PC977 (CGC516, CCS846, CECL519)

p. 128—129  
Flutes - PC978 (CGC38, CCS845, CECL521)  
Flutes - PC956 (CGC38, CCS845, CECL521)  
Flutes - PC977 (CGC38, CCS845, CECL521)

LIGHT LINE



PAGE 132 — 143

p. 133  
Lightline - S - PC972  
(CGC544, CGGB812, CGSUB891, CECL521)

p. 139  
Lightline - S - PC972  
(CGC45, CGGB812, CGSUB890, CECL520)

p. 134—135  
Lightline - M - PC981  
(CGC554, CGGB812, CGSUB890, CECL520)  
Lightline - L - PC982  
(CGC23, CGGB812, CGSUB891, CECL520)  
Lightline - L-H - PC983  
(CGC516, CGGB812, CGSUB890, CECL520)  
Lightline - S - PC972  
(CGC515, CGGB812, CGSUB891, CECL520)

p. 140—141  
Lightline - S - PC972  
(CGC544, CGGB812, CGSUB891, CECL521)

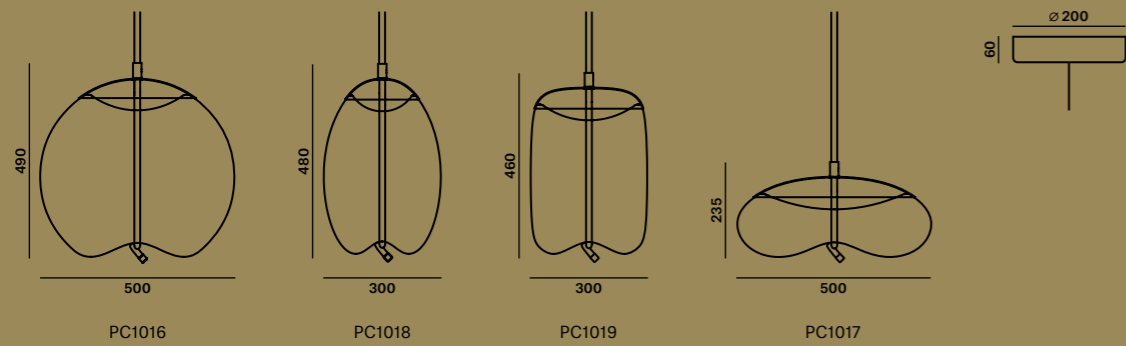
p. 142  
Lightline - L-H - PC983  
(CGC23, CGGB812, CGSUB891, CECL521)

p. 136  
Lightline - S - PC972  
(CGC38, CGGB812, CGSUB890, CECL520)

p. 143  
Lightline - S - PC972  
(CGC45, CGGB812, CGSUB890, CECL520)



KNOT



PAGE 144 — 156

p. 145  
 Knot - Cilindro - PC1019 (CGC516, CGSU66, CCS584, CRP970)  
 Knot - Sfera - PC1016 (CGC516, CGSU66, CCS584, CRP970)

Knot - Cilindro - PC1034 (CGC516, CCSC975, CRP970)  
 Knot - Sfera - PC1035 (CGC516, CCSC975, CRP970)  
 Knot - Uovo - PC1036 (CGC516, CCSC975, CRP970)  
 Knot - Disco - PC1017 (CGC516, CCSC975, CRP970)

p. 146—147  
 Knot - Uovo - PC1036 (CGC538, CCSC975, CRP970)  
 Knot - Sfera - PC1016 (CGC538, CCSC975, CRP970)  
 Knot - Sfera - PC1035 (CGC538, CCSC975, CRP970)  
 Knot - Disco - PC1017 (CGC538, CCSC975, CRP970)

p. 152  
 Knot - Sfera - PC1016 (CGC38, CCS68, CRP970)

p. 148  
 Knot - Uovo - PC1018 (CGC538, CCS69, CRP970)  
 Knot - Cilindro - PC1019 (CGC538, CCS69, CRP970)  
 Knot - Sfera - PC1016 (CGC538, CCS69, CRP970)

p. 153  
 Knot - Cilindro - PC1019 (CGC23, CCS584, CRP970)  
 Knot - Sfera - PC1016 (CGC23, CCS584, CRP970)  
 Knot - Disco - PC1017 (CGC23, CCS584, CRP970)

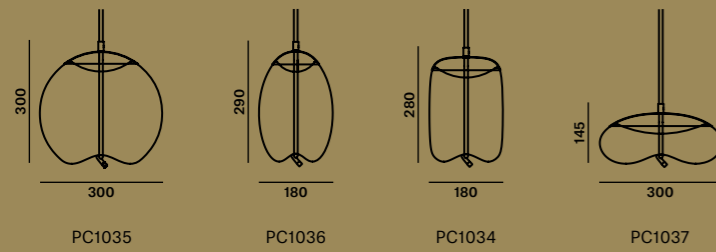
p. 149  
 Knot - Disco - PC1037 (CGC538, CCSC975, CRP970)  
 Knot - Sfera - PC1035 (CGC538, CCSC975, CRP970)  
 Knot - Uovo - PC1036 (CGC538, CCSC975, CRP970)  
 Knot - Cilindro - PC1034 (CGC538, CCSC975, CRP970)

p. 154—155  
 Knot - Uovo - PC1018 (CGC538, CCS69, CRP970)  
 Knot - Cilindro - PC1019 (CGC538, CCS69, CRP970)  
 Knot - Sfera - PC1016 (CGC538, CCS69, CRP970)  
 Knot - Disco - PC1017 (CGC538, CCS69, CRP970)

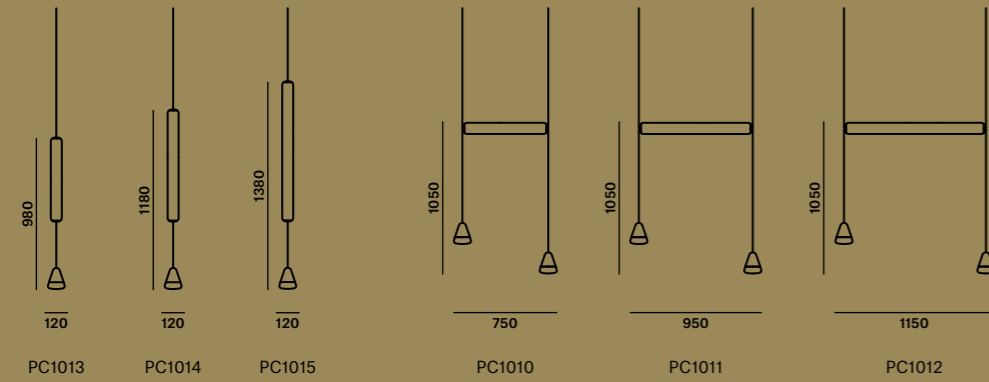
p. 150—151  
 Knot - Disco - PC1037 (CGC516, CCSC975, CRP970)  
 Knot - Sfera - PC1016 (CGC516, CCSC975, CRP970)

p. 156—157  
 Knot - Uovo - PC1018 (CGC516, CCS959, CRP970)  
 Knot - Sfera - PC1016 (CGC516, CCS959, CRP970)  
 Knot - Cilindro - PC1019 (CGC516, CCS959, CRP970)  
 Knot - Disco - PC1017 (CGC516, CCS959, CRP970)

KNOT SMALL



PURO



PAGE 158 — 171

p. 158  
 Puro - Horizontal - PC1011 (CGC1507, CGGB977, CGSUB890, CECL519)  
 Puro - Horizontal - PC1012 (CGC1507, CGGB977, CGSUB890, CECL519)  
 Puro - Vertical - PC1014 (CGC1507, CGGB977, CGSUB890, CECL519)  
 Puro - Vertical - PC1015 (CGC1507, CGGB977, CGSUB890, CECL519)  
 Puro - Vertical - PC1015 (CGC1507, CGGB977, CGSUB890, CECL519)

p. 165  
 Puro - Vertical - PC1014 (CGC39, CGGB812, CGSUB890, CECL521)  
 Puro - Vertical - PC1015 (CGC39, CGGB812, CGSUB890, CECL521)  
 Puro - Vertical - PC1013 (CGC39, CGGB812, CGSUB890, CECL521)  
 Puro - Horizontal - PC1010 (CGC39, CGGB812, CGSUB890, CECL521)

p. 160—161  
 set up - detail  
 Puro - Horizontal - PC1011 (CGC1507, CGGB977, CGSUB890, CECL519)  
 Puro - Horizontal - PC1012 (CGC1507, CGGB977, CGSUB890, CECL519)  
 Puro - Vertical - PC1014 (CGC1507, CGGB977, CGSUB890, CECL519)  
 Puro - Vertical - PC1015 (CGC1507, CGGB977, CGSUB890, CECL519)  
 Puro - Vertical - PC1015 (CGC1507, CGGB977, CGSUB890, CECL519)

p. 166  
 Puro - Horizontal - PC1012 (CGC1507, CGGB977, CGSUB890, CECL519)  
 Puro - Vertical - PC1015 (CGC1507, CGGB977, CGSUB890, CECL519)

p. 162  
 Puro - Horizontal - PC1010 (CGC39, CGGB812, CGSUB890, CECL521)  
 Puro - Horizontal - PC1012 (CGC39, CGGB812, CGSUB890, CECL521)  
 Puro - Horizontal - PC1011 (CGC39, CGGB812, CGSUB890, CECL521)  
 Puro - Vertical - PC1014 (CGC39, CGGB812, CGSUB890, CECL521)  
 Puro - Vertical - PC1015 (CGC39, CGGB812, CGSUB890, CECL521)  
 Puro - Vertical - PC1013 (CGC39, CGGB812, CGSUB890, CECL521)

p. 167  
 Puro - Vertical - PC1014 (CGC1507, CGGB812, CGSUB890, CECL519)  
 Puro - Vertical - PC1015 (CGC1507, CGGB812, CGSUB890, CECL519)  
 Puro - Vertical - PC1013 (CGC1507, CGGB812, CGSUB890, CECL519)

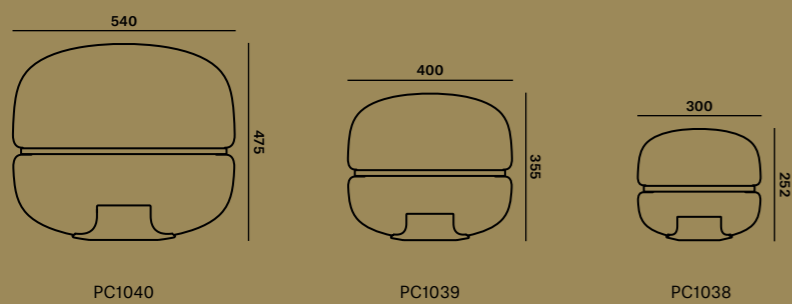
p. 163  
 Puro - Vertical - PC1014 (CGC39, CGGB812, CGSUB890, CECL521)  
 Puro - Vertical - PC1015 (CGC39, CGGB812, CGSUB890, CECL521)  
 Puro - Vertical - PC1013 (CGC39, CGGB812, CGSUB890, CECL521)

p. 168—169  
 Puro - Vertical - PC1014 (CGC39, CGGB812, CGSUB890, CECL521)  
 Puro - Vertical - PC1014 (CGC39, CGGB812, CGSUB890, CECL521)  
 Puro - Vertical - PC1015 (CGC39, CGGB812, CGSUB890, CECL521)  
 Puro - Vertical - PC1013 (CGC39, CGGB812, CGSUB890, CECL521)  
 Puro - Horizontal - PC1012 (CGC39, CGGB812, CGSUB890, CECL521)

p. 171  
 Puro - Vertical - PC1015 (CGC39, CGGB812, CGSUB890, CECL521)  
 Puro - Vertical - PC1015 (CGC39, CGGB812, CGSUB890, CECL521)  
 Puro - Vertical - PC1014 (CGC39, CGGB812, CGSUB890, CECL521)

Canopy on request

MACARON



PAGE 172 — 183

p. 173  
 Macaron - PC1040 (CSFB1535, CGC23, CSOP1532, CECL521)  
 Macaron - PC1038 (CSFB1574, CGC516, CSOP1533, CECL521)

p. 179  
 Macaron - PC1039 (CSFB1535, CGC516, CSOP1532, CECL521)

p. 174  
 Macaron - PC1038 (CGC516, CSOP1577, CECL521)

p. 180  
 Macaron - PC1040 (CSFB1576, CGC23, CSOP1532, CECL521)

p. 175  
 Macaron - PC1039 (CSFB1576, CGC515, CSOP1533, CECL521)

p. 181  
 Macaron - PC1039 (CGC1625, CSOP1532, CECL521)

p. 176—177  
 Macaron - PC1039 (CSFB1576, CGC1625, CSOP1533, CECL521)  
 Macaron - PC1038 (CSFB1576, CGC1625, CSOP1533, CECL521)  
 Macaron - PC1040 (CSFB1576, CGC46, CSOP1533, CECL521)  
 Macaron - PC1039 (CSFB1535, CGC23, CSOP1532, CECL521)  
 Macaron - PC1038 (CSFB1576, CGC515, CSOP1533, CECL521)

p. 182—183  
 Macaron - PC1038 (CSFB1576, CGC515, CSOP1533, CECL521)  
 Macaron - PC1039 (CSFB1576, CGC23, CSOP1533, CECL521)



---

#### PRODUCT CLASSIFICATION

The product variants that we offer are classified in ascending order into four price levels: Basic (BAS), Standard (STA), Advanced (ADD), Individual (IND). Product variants classified as ALL are universal and may be selected for any of the four price levels.

---

#### OTHER IMPORTANT INFORMATION

Brokis products and services can be found on the latest version of our website – [www.brokis.cz](http://www.brokis.cz). Our sales partners are regularly informed of news and any changes to products and or services.

In order to streamline cooperation with our sales partners and promote sales of our products and services, we've created new marketing tools, which are available through the My Brokis partner portal at [www.brokis.cz](http://www.brokis.cz).

These tools, which include informative documents, PR materials, and an overview of complementary services, support product sales growth and help us develop our services, some of which are limited to certain regions.

Conditions acting on the product during transport, storage, and after installation can have a negative impact on its appearance. For more information regarding maintenance and cleaning, go to [www.brokis.cz](http://www.brokis.cz) or refer to the installation manual included with each product.

---

## BROKIS

---

OFFICE Španielova 1315/25  
163 00 Prague 6, Czech Republic  
SHOWROOM Sidliště Janštejn 39  
588 52 Horní Dubenky  
Czech Republic  
T +420 567 211 517  
F +420 567 211 727  
E [info@brokis.cz](mailto:info@brokis.cz)  
W [www.brokis.cz](http://www.brokis.cz)

---

#### PRODUCT DESIGN

Creative direction  
Lucie Koldova

---

#### DESIGNERS

Lucie Koldova  
Dan Yeffet  
Boris Klimek  
Chiaramonte Marin

---

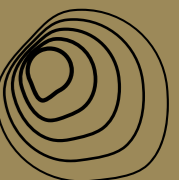
#### PHOTO

Martin Chum  
Kristina Hrabětová  
Dana Hosová  
Jaroslav Moravec

---

#### GRAPHIC DESIGN

Studio Marvil



BROKIS



